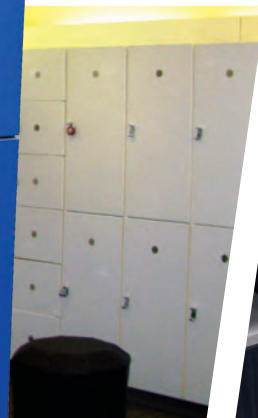


**IDEAL 2000 SERIES  
PLASTIC LAMINATE LOCKERS**



P.O. BOX 4090 • ONTARIO, CA 91761 • (951) 727-8600 • (951) 727-8612 FAX • [WWW.IDEALOCKERS.COM](http://WWW.IDEALOCKERS.COM)

# IDEAL 2000 SERIES PLASTIC LAMINATE LOCKERS



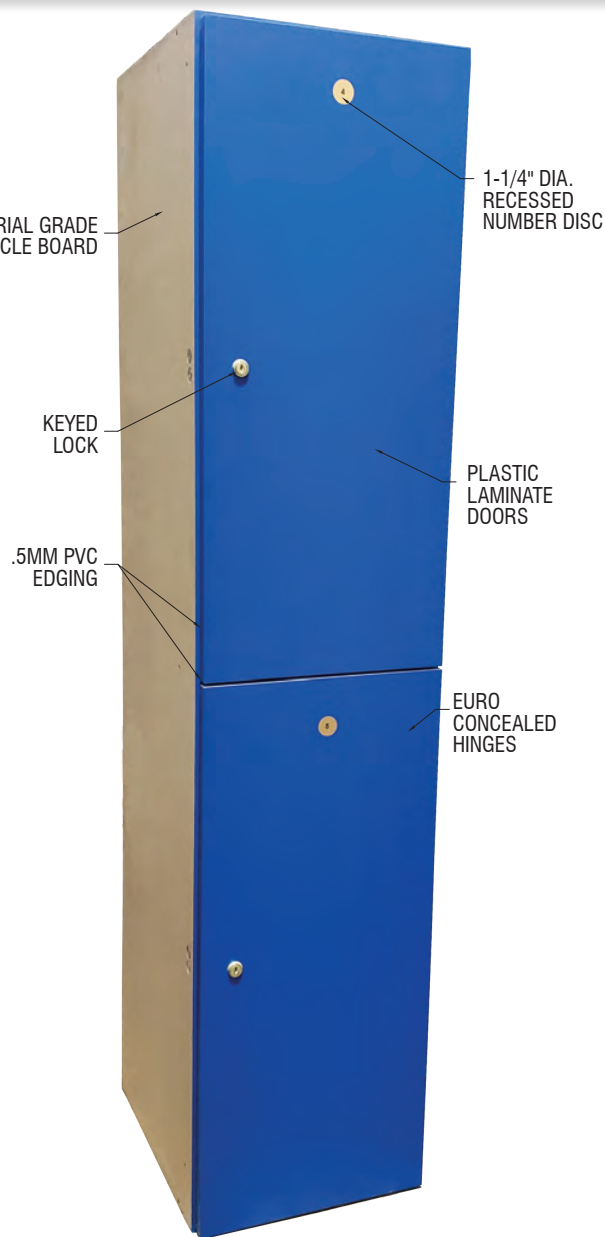
The standard **Ideal 2000 Series** locker configuration (12"W x 18"D x 72"H) provides 100 storage units within 51 linear feet. Standard features include fire retardant high pressure plastic laminate doors with square corners, self or PVC edging, keyed lockset, nickel plated concealed hinges, aluminum or brass clothes hooks, nickel plated coat rods and number discs in satin chrome, satin brass or black finishes.

The frames are constructed from 48lb. industrial grade particle board. Doors are plastic laminate, high pressure, class II-B fire retardant with square corners. Frames and doors are edged with either high pressure plastic laminate self-edging or PVC thermal glued tape to match your plastic laminate selection. Interior surfaces of sides and back panel are finished with 6 mil frosty white vinyl. Interior horizontal surfaces of shelves, tops and bottoms are finished with black thermal-fused melamine.

All of our locker models are available in custom sizes to meet your individual needs.



[LEARN MORE](#)



## Features

- Custom and standard designs
- 48lb. Industrial Grade Particle Board Core Frame
- Class IIB Fire Retardant Plastic Laminate Doors w/Square Corners
- PVC or Self-Edging to Match Exterior Laminate
- Ventilation Through Rear Panel 32mm System
- Euro Concealed Hinges
- Unlimited color and texture selections
- Formica®, Wilsonart®, Nevamar®, Pionite®, and Laminart®
- Aluminum or Brass Clothes Hooks
- Nickel Plated Coat Rods
- Number Discs in Satin Chrome, Satin Brass or Black
- Three Year Warranty

## INSTALLATIONS



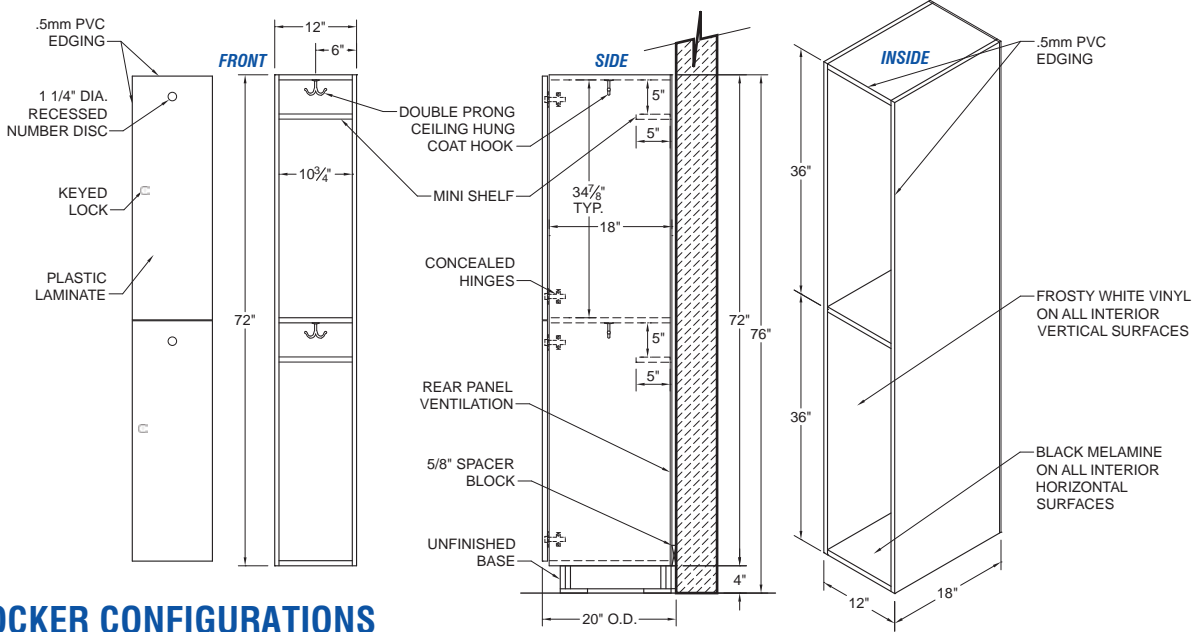
## UNLIMITED COLORS & TEXTURES

With seemingly endless combinations of vibrant, versatile solid colors, inspirational patterns and textures such as woodgrains, including designs inspired by today's popular granite, marble and quartz looks, that are richly dimensional, realistically textured and intrinsically practical.

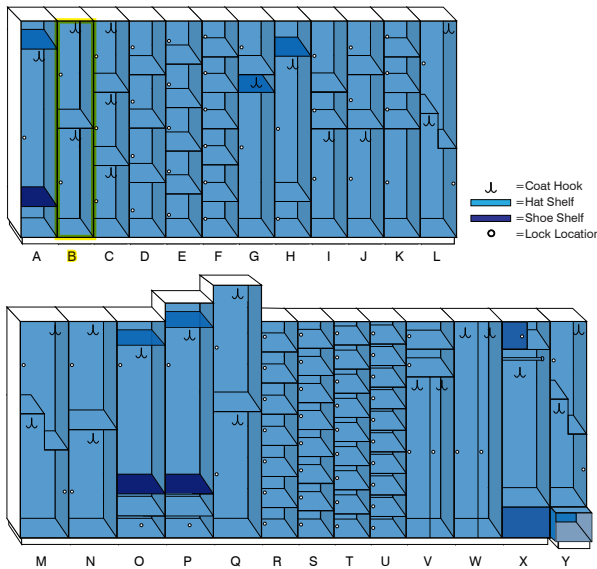
**Plastic Laminate**, class II-B, fire-retardant, water resistant, NEMA LD 3.1 vertical grade .028" thick high-pressure plastic laminate exposed. Available from *Formica*®, *Wilsonart*®, *Nevamar*®, *Pionite*®, and *Laminart*®



## LOCKER DIMENSIONS | 12"x18"x72" PL, PVC, CH, SOLA



## LOCKER CONFIGURATIONS



ITEM	DESCRIPTION	WIDTH	DEPTH	HEIGHT
A	One Tier	12"	18"	72"
B	Standard Two Tier	12"	18"	72"
C	Three Tier - Gymbag	12"	18"	72"
D	Four Tier	12"	18"	72"
E	Five Tier	12"	18"	72"
F	Six Tier - Purse Size	12"	18"	72"
G	Modified Two Tier	12"	18"	72"
H	Modified Two Tier	12"	18"	72"
I	Modified Three Tier	12"	18"	72"
J	Modified Three Tier	12"	18"	72"
K	Modified Four Tier	12"	18"	72"
L	Executive Style Two Tier	12"	18"	72"
M	Executive Style Two Tier	16"	18"	72"
N	Standard Two Tier	16"	18"	72"
O	Tennis Club	16"	18"	72"
P	Country Club	16"	18"	78"
Q	Maxi-space	16"	18"	84"
R	Seven Tier	12"	18"	72"
S	Eight Tier	12"	18"	72"
T	Nine Tier	12"	18"	72"
U	Ten Tier - Sneaker	12"	18"	72"
V	Vertical Quad Tier	16"	18"	72"
W	Vertical Two Tier	16"	18"	72"
X	Epicenter	16"	18"	72"
Y	3000 Series Model "L"	12"	18"	72"

## PRODUCT SPECIFICATIONS

- Frame Components**
  - Sides = 5/8" 48 lb. density industrial grade 1-M-2, 45 particle board, .006" frosty white low pressure laminate vinyl.
  - Shelves = 3/4" 48 lb. density industrial grade 1-M-2, 45 particle board, black thermal fused melamine.
  - Backpanel = 1/4" 48 lb. exterior grade medium density fiberboard, .006" frosty white low pressure laminated vinyl, vnetilated.
- Frame Construction** = Blunt joint, 2" t-head nail and screw.
- Edging**
  - Either high pressure plastic laminate self-edging, or .5mm PVC thermal glued tape to match your plastic laminate selection.
- Hinges**
  - 2000 Series includes nickel plated concealed hinges (CH).
- Doors** = 3/4" thick vertical grade .028" class II-B fire retardant plastic laminated two sides and 48 lb. industrial grade 1M2 particle board core.

## AIA SPECIFICATIONS

### Section 10500 | Wood Lockers

Requirements of Divisions 0 and 1 apply to work of this Section.

#### 1.0 GENERAL

- 1.1 **Scope of Work Included:**
  - a. The furnishing and installation of prefabricated WIG type I multiple self-supporting modular water resistant, fire retardant plastic laminated lockers.
- 1.2 **Related Work Specified Elsewhere:**
  - a. Architectural Woodwork- Section 06400
  - b. Wood and Plastic Doors - Section 08200
  - c. Wood Windows - Section 08210
- 1.3 **Standards:**
  - a. Minimum standard for water resistant, fire retardant astic laminate lockers shall conform to WIG P, Manual of Millwork' latest edition.
- 1.4 **Quality Assurance:**
  - a. All parts and hardware shall be WIG compliant, structurally sound and free from defects in material and workmanship under normal use and service for a period of three (3) years All lock parts to be warranted for a period of one (1) year.
- 1.5 **Submittals:**
  - a. Submit two copies of WIG compliant shop drawings for all items of finish work before fabrication.
  - b. Manufacturer's descriptive data of all materials and products construction, overall dimensions for installation of lockers, accessories, and trim.
  - c. Submit 3 color samples of laminate specified.
- 1.6 **Product Handling, Delivery & Storage:**
  - a. Deliver all lockers when project construction is ready for installation. Store lockers in dry, ventilated area and protect all finishes from soiling and damage during handling.

#### 2.0 PRODUCTS

- 2.1 **Grades:**
  - a. Furnish Ideal 2000 Series furniture grade plastic laminated lockers in accordance with WIG "Manual of Millwork", Section 15 - Plastic Covered Casework for Custom and Premium Grades.
- 2.2 **Acceptable Manufacturer:**
  - a. Ideal Products1 Inc , PD Box 313, Brea, CA 92622. Lockers to be deal 2000 Series.
    1. Interior vertical surfaces of sides and back panel are finished with 6 mil frosty white vinyl.
- 2.3 **Materials:**
  - a. Locker Interior:
    1. Interior vertical surfaces of sides and back panel are finished with 6 mil frosty white vinyl.
    2. Interior horizontal surfaces of shelves, tops and bottoms are finished with black thermal-fused melamine.
    3. Locker frame constructed of 48 lb. industrial grade particle board core ANSI A208.1, grade 1-M-2, 45 (Sides= 5/8" Shelves= 3/4", Back= 1/4").
    4. Frame edged for 2000 Series with high pressure plastic laminate .032" thickness, vertical grade (SE) or .5mm PVC, poly vinyl chloride thermal glued tape to match plastic laminte (PVC).
    5. Locker venting through rear panel 32m system.
  - b. Doors, End Panels, Sloped Tops
    1. Plastic laminate. high pressure. class II-B fire retardant, VGS-GP28, "14" STD PB, UL & HPMA.
    2. Square corners for 2000 Series edges finished.

3. 3/4" thickness 48 lb. industrial grade particle board with choice of vertical grade fire retardant (class II-B) plastic laminate for exterior finish and interior Wilsonart 1573 vertical grade frosty white cabinet liner.

- 2.4 **Hardware:**
  - a. Hinges, heavy duty:
    1. 2000 Series -- fully concealed, nickle plated, self-closing, 120 degree opening (3 per door > 42") (CH).
  - b. Locks, heavy duty, specify:
    1. Padlock hasps either recessed (RP) or surface (SP) mounted through-bolted, case harden and cadium plated steel.
    2. Keyed Locks (KL), heavy duty cam operated, chrome, brass or black finish. 2 keys per lock and master keyed, and select KD100, KD400, DK1000.
    3. Dial Combination with changeable codes and master keyed bypass (DC).
    4. Pushbutton Combination lock sets with over 2,000 different combinations either satin chrome or brass finish (PC).
    5. Coin Collect (CC). Coin Return (CR), Token (TO) and Card Operated (CO).
  - c. Cloths Hooks, aluminum or brass finished:
    1. Side mounted double or single prong.
    2. Ceiling mounted double prong.
  - d. Coat Rods, nickel plated.
  - e. Number Discs: 1 1/4" diameter, 1/4" numerals recessed flush in door, satin chrome, satin brass and black.
- 2.5 **Fabrication:**
  - a. Lockers shall be fabricated using blunt joint and t-head 2" galvanized nail and screw construction.
  - b. Fabricated lockers square, rigid and without warp.
  - c. Machine all parts and attachment holes accurately and chip free.
  - d. Fabricate corners, fillers, scribes, tops as required for installation.

#### 3.0 EXECUTION

- 3.1 **Construction:**
  - a. Conform to requirements of WIC "Manual of Millwork", latest edition, for joinery requirements using blunt joint, nail and screw.
- 3.2 **Installation:**
  - a. Install lockers at the locations shown in accordance with manufacturer's instructions for plumb, level, rigid and flush installation.
  - b. Lockers can be easily installed on standard prefabricated bases as supplied by manufacturer allowing for 2" toe kick.
  - c. Fasten locker frames to each other with chromium plated t-nuts and hex head screws through holes per drilled at factory.
  - d. Secure banks of lockers every 4 feet to walls or wall studs for earthquake resistance with straps as supplied by manufacturer.
  - e. Install end and corner fillers and caps, cut to size in field per plans.
  - f. Install end panels, sloped tops, finished tops.
  - g. Install number discs, clean lockers, remove all related trash and debris from jobsite.
- 3.3 **Clean-Up:**
  - a. Upon completion of the work, remove surplus materials, rubbish and debris resulting from the operations under the section, including equipment and implements of service, and leave the entire structure and site insofar as the work of this section concerned in a neat, clean, and acceptable condition.

## ORDERING INSTRUCTIONS

### Example:

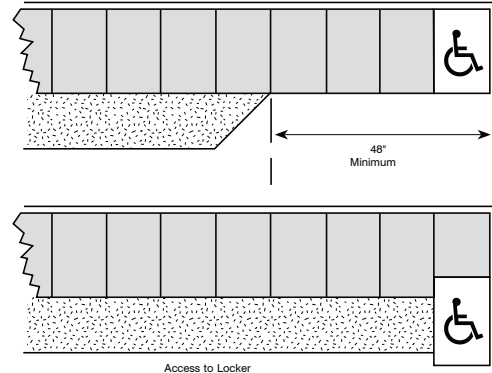
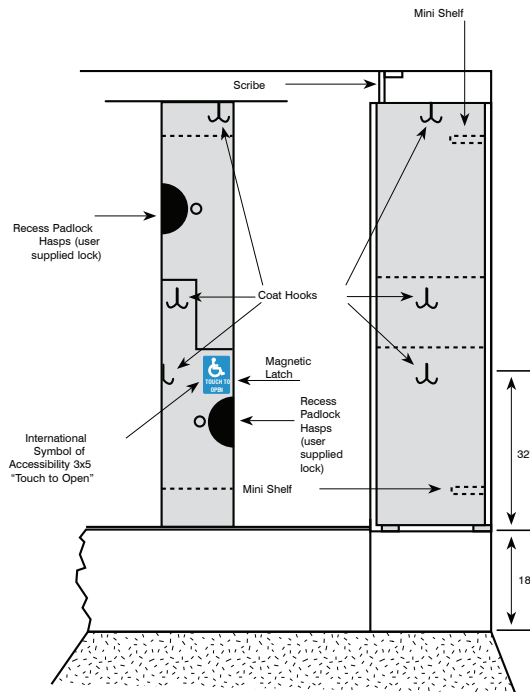
Ideal	2000 Series,	Model B,	12 x 18 x 72",	PL,	RP,	CH,	PVC
	1	2	3	4	5	6	7

- 1 Specify Ideal 2000 Series for Fire-Retardant Plastic Laminate Wood Lockers. 2000 Series includes (SE) Self-Edging or (PVC) 1mm Poly Vinyl Chloride edging and (CH) Concealed Hinges.
- 2 Select the style and size locker compartment such as Model B, our standard double tier or Model F, our purse size lockers.
- 3 Confirm the frame dimensions: Width x Depth x Height.

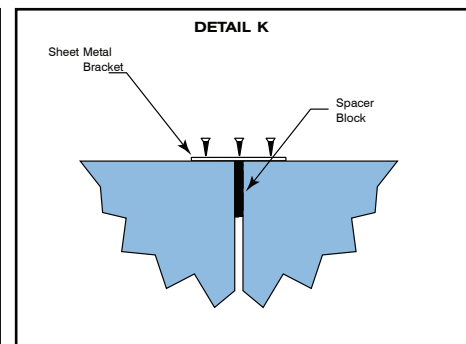
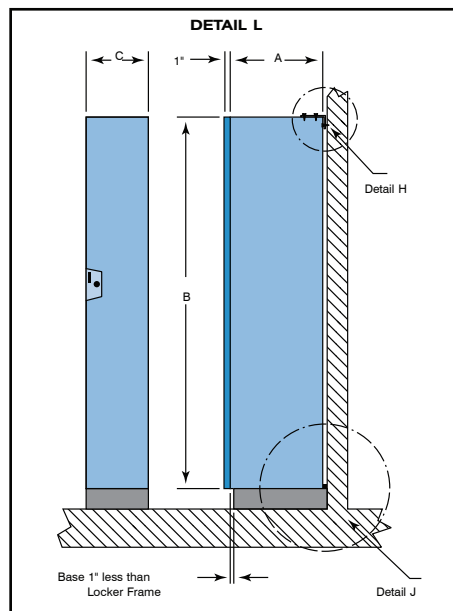
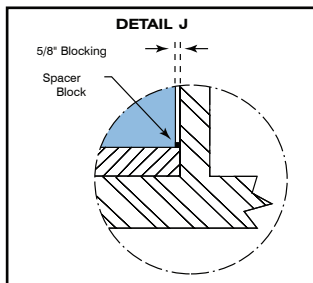
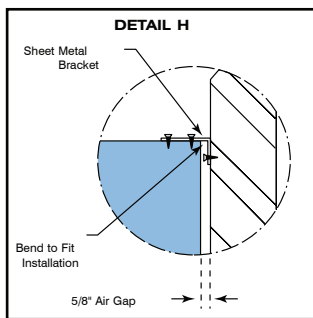
- 4 Select plastic laminate as your exterior surface and choose any color or combination of colors.
- 5 Specify Locks. (RP) = Recessed Padlock Hasp, (PC) = Pushbutton Combination, (DC) = Dial Combination, (CL) = Card Lock, (CO) = Coin-Operated, (CC) = Coin-Collect, (KL) = Keyed.
- 6 Specify Hinges. (CH) = Concealed Hinge, (EH) = Exposed Knuckle.
- 7 Specify Edging. (SE) = Self Edging, (PVC) = .5mm Polyvinyl Chloride.



## HANDICAPPED OPTIONS



Local building officials will eventually require your clubs to comply with The Americans with Disabilities Act of 1990 which requires the following: At least one of each type locker offered, and for double-tier lockers only the bottom row, be provided for handicapped people. A clear floor space of 30"x48" minimum will allow for either forward or parallel approach by a person using a wheelchair. Storage spaces such as shelves, hooks, coat rods, etc., shall be located at a height of 9" minimum and 48" maximum from the finished floor. Acceptable hardware for accessible lockers are touch latches and U-shaped pulls located as close to the top of the door as possible.





**Ideal** PRODUCTS, INC.