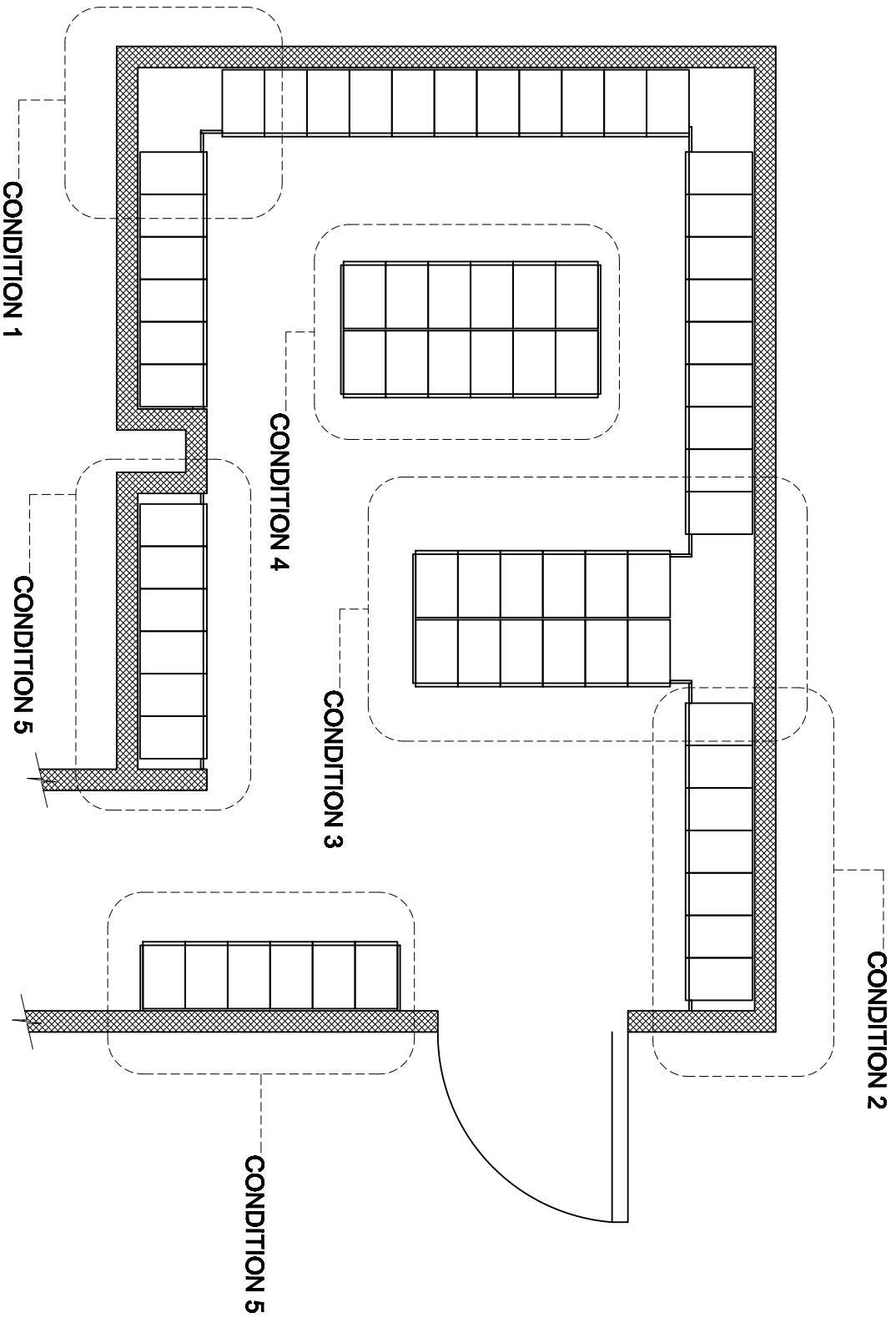
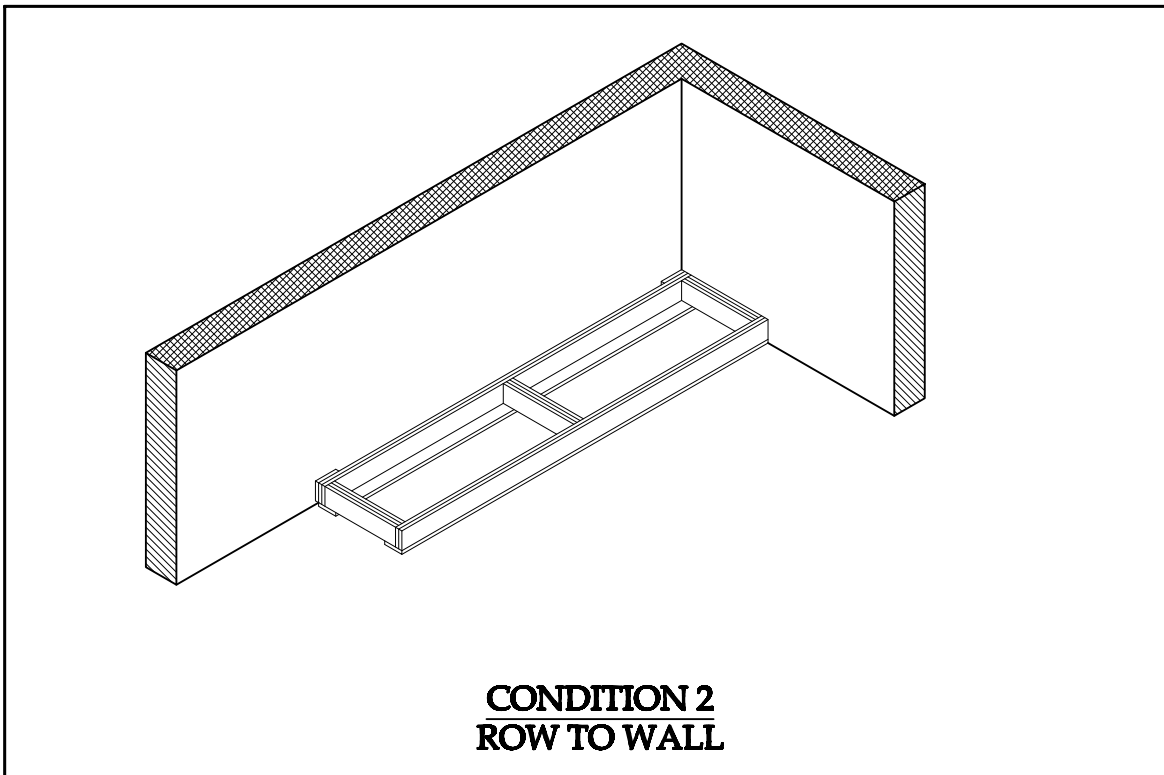
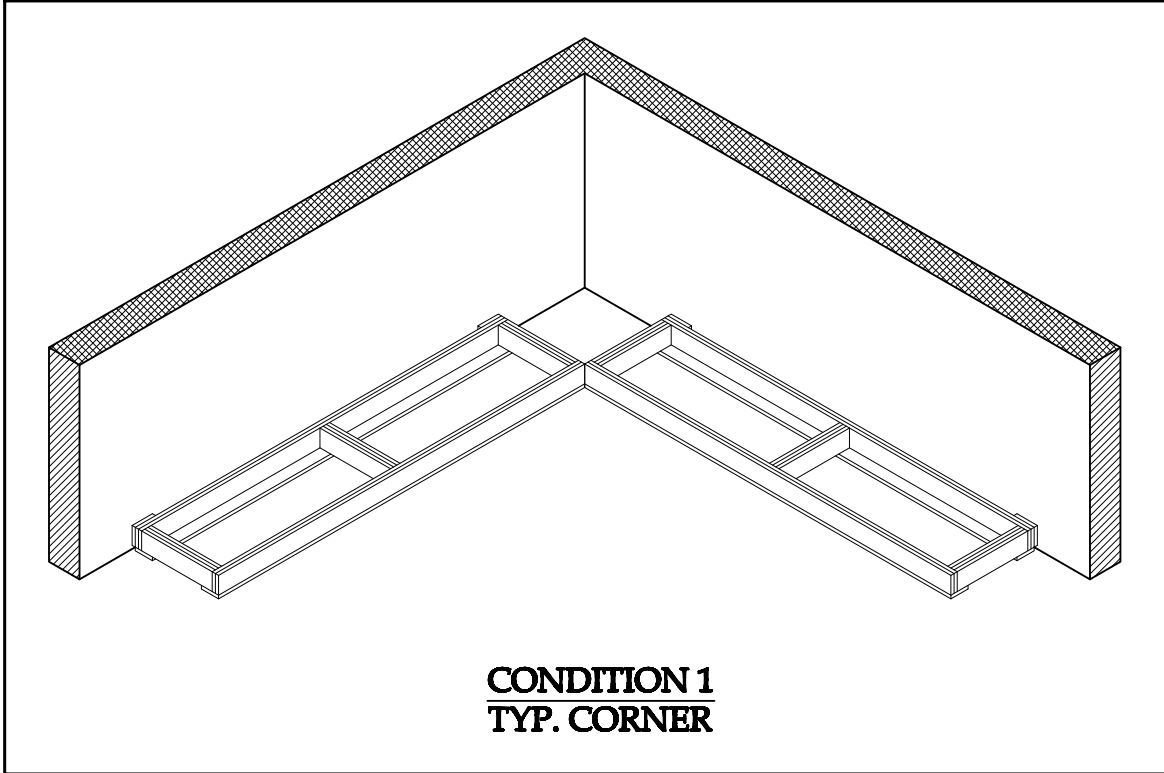


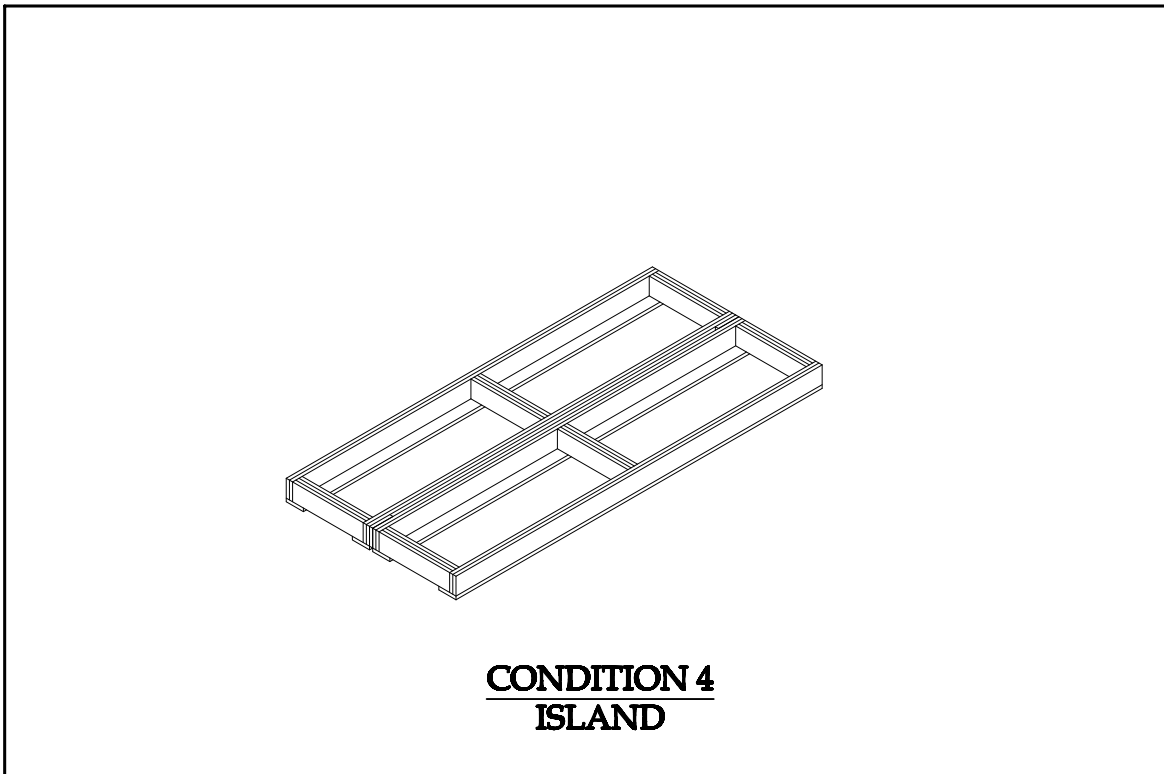
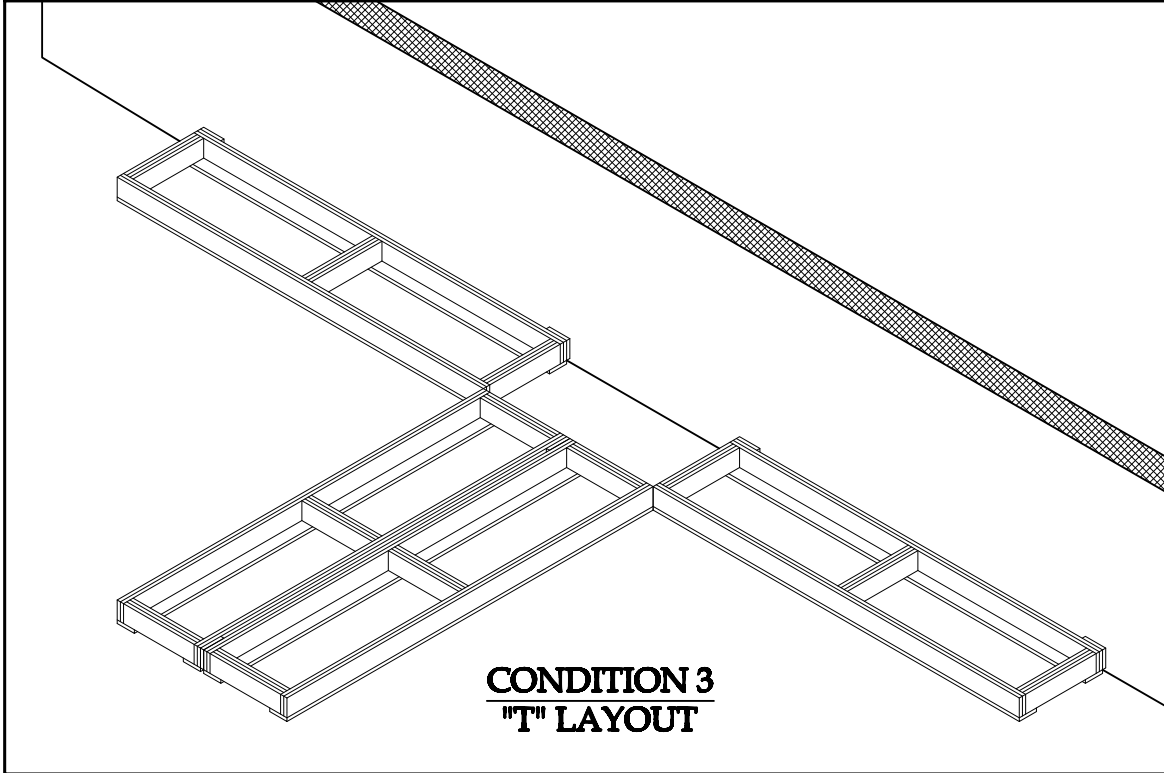
BASE INSTALLATION TYP. CONDITIONS



BASE INSTALLATION



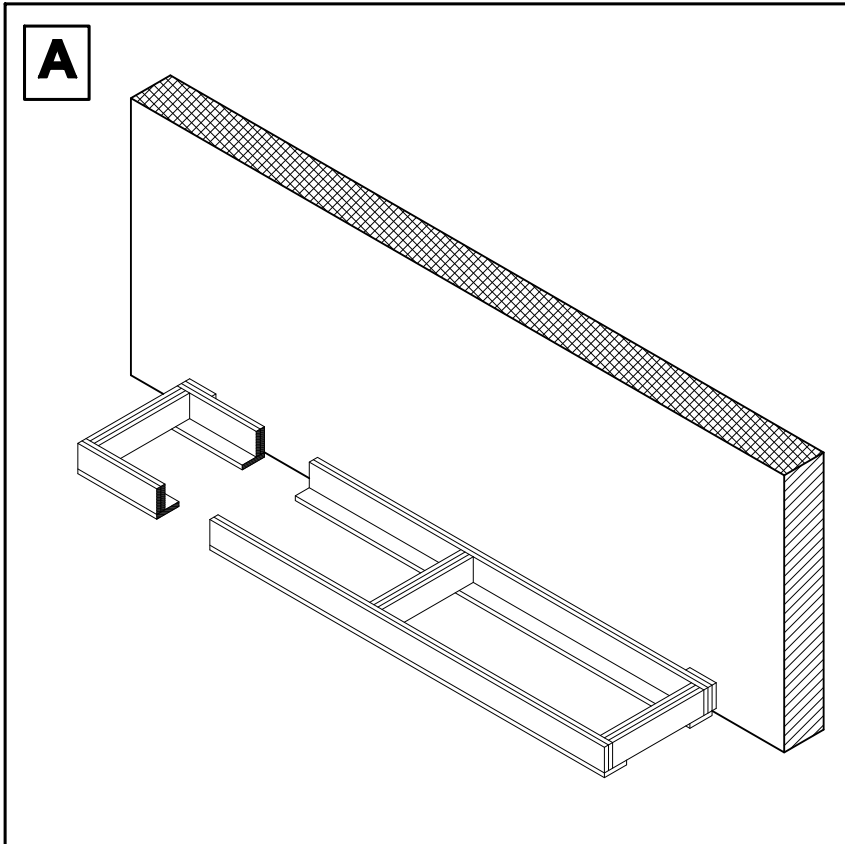
BASE INSTALLATION



SPECIAL CONDITIONS

CUTTING BASE FOR A STRAIGHT

ROW NO SIDE WALLS

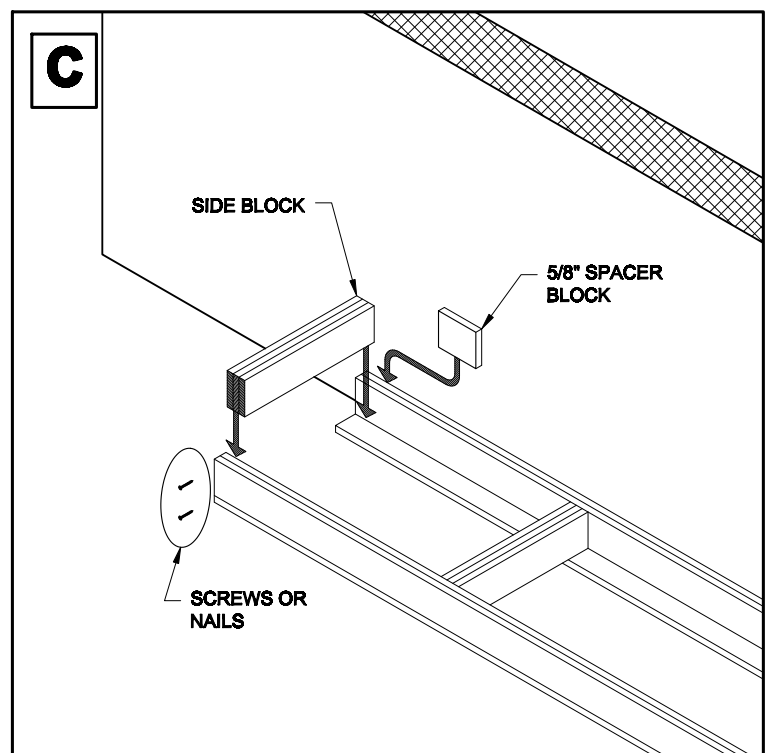
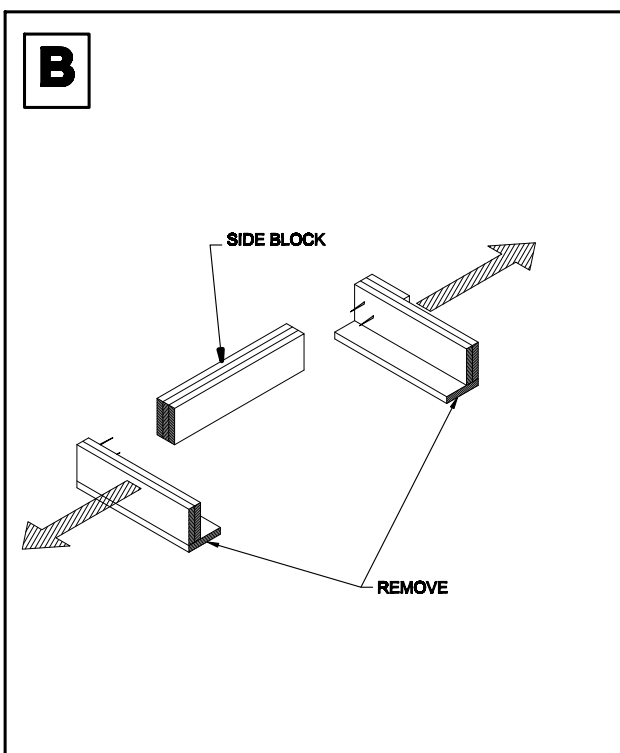


[A] - CUT BASE TO FIT ON FIELD

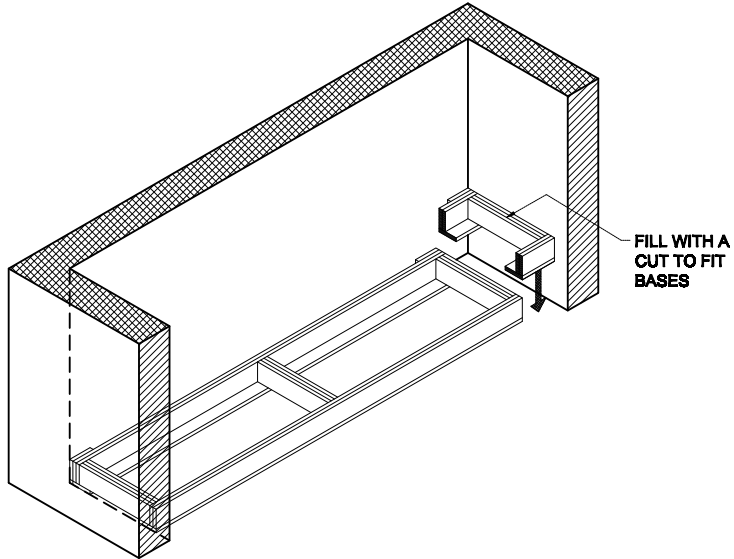
[B] - REMOVE SIDE BLOCK OFF FROM UNUSED PEACE.

[C] - REPLACE SIDE BLOCK ONTO BASE . THEN SCREW OR NAIL

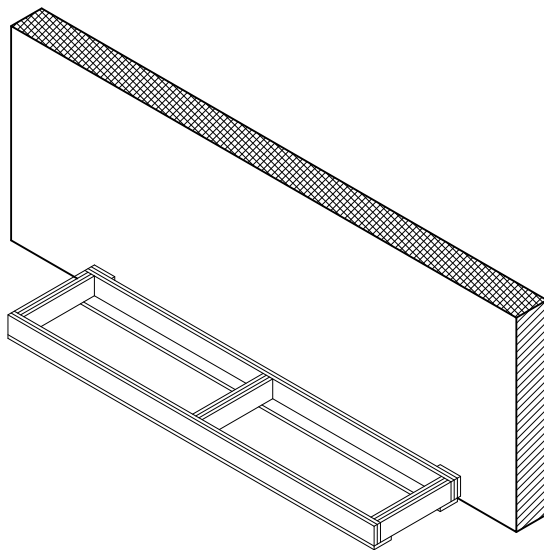
NOTE: PLACE A 5/8" SPACER BLOCK BETWEEN WALL AND BASE



BASE INSTALLATION



CONDITION 5
BETWEEN WALLS



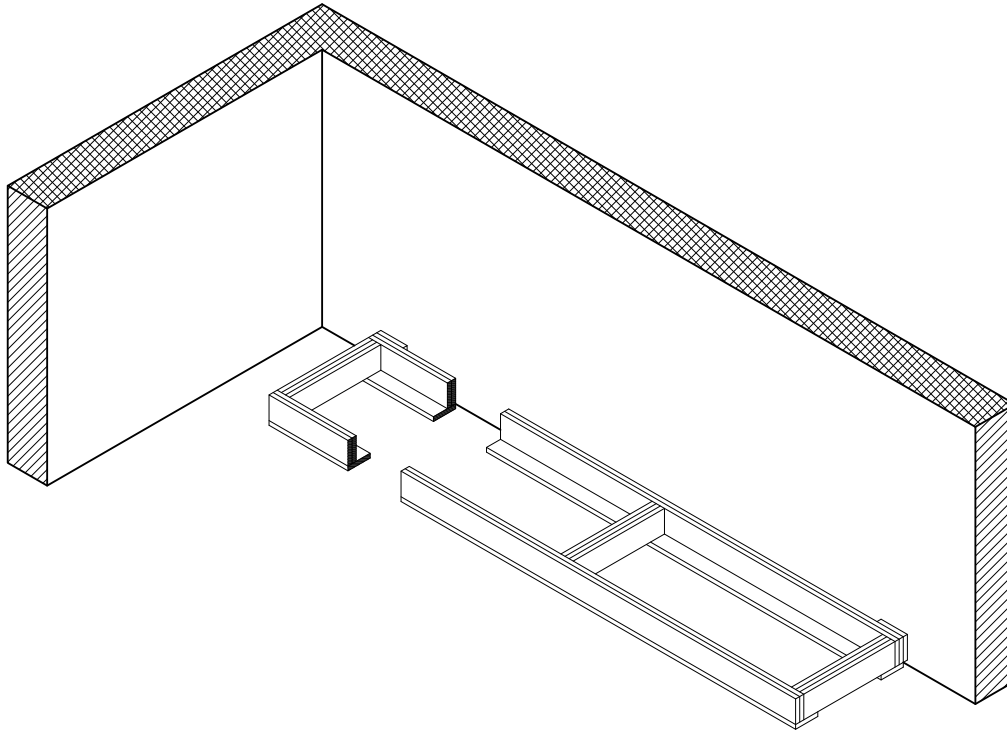
CONDITION 6
OPEN ROW

SPECIAL CONDITIONS

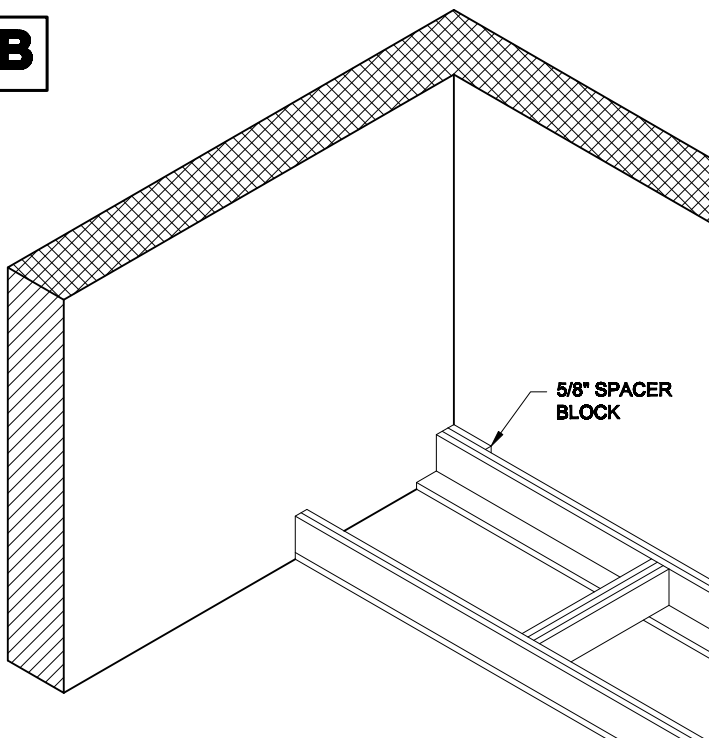
CUTTING BASE FOR A STRAIGHT ROW

AGAINST SIDE WALL

A



B



[A] - CUT BASE TO FIT ON FIELD

**[B] - PLACE OPEN SIDE OF BASE
AGAINST WALL.**

**NOTE: PLACE A 5/8" SPACER
BLOCK
BETWEEN WALL AND BASE**